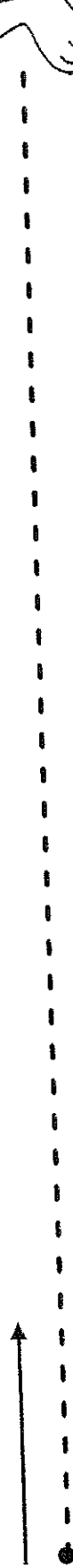
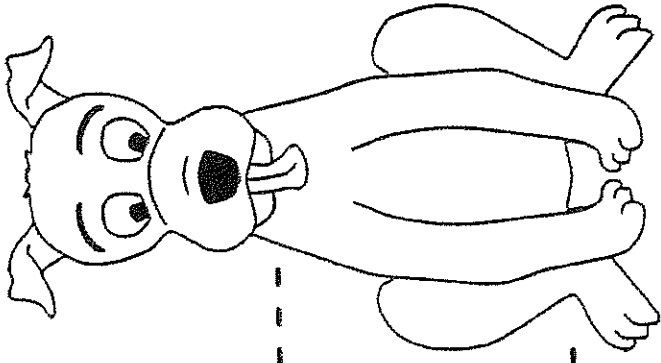
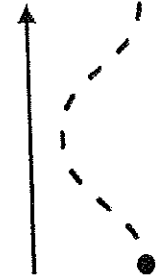
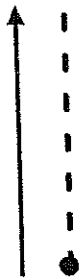


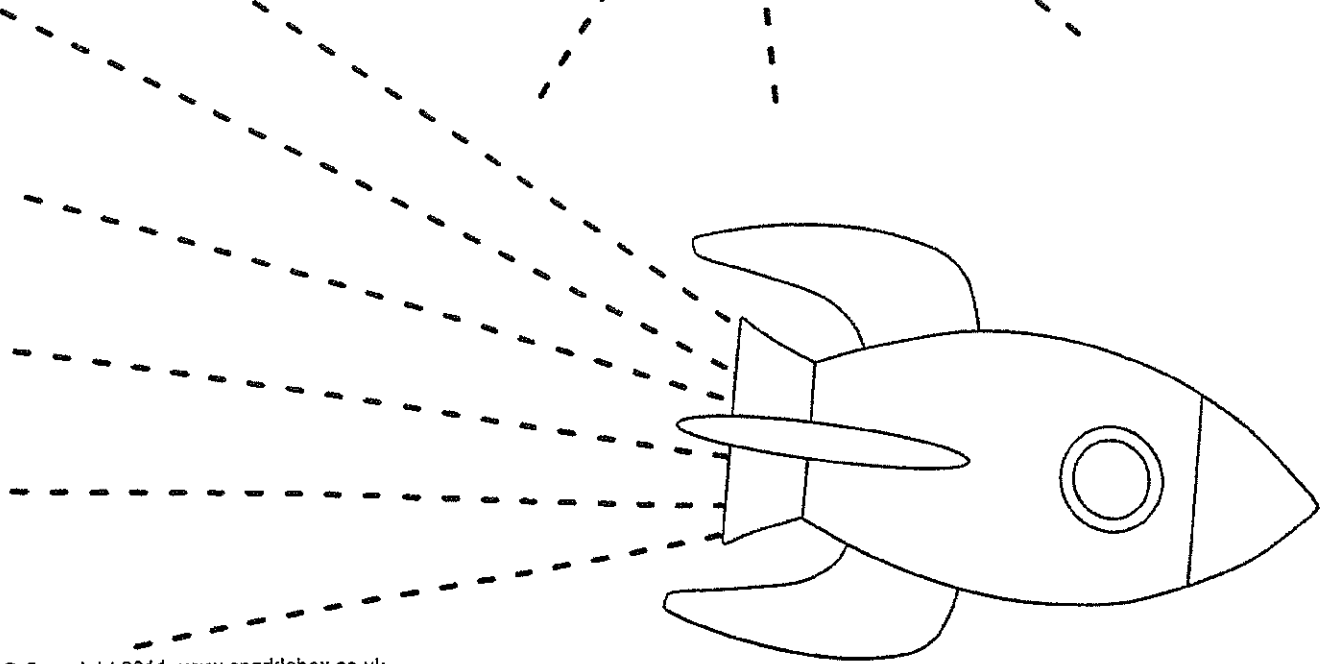
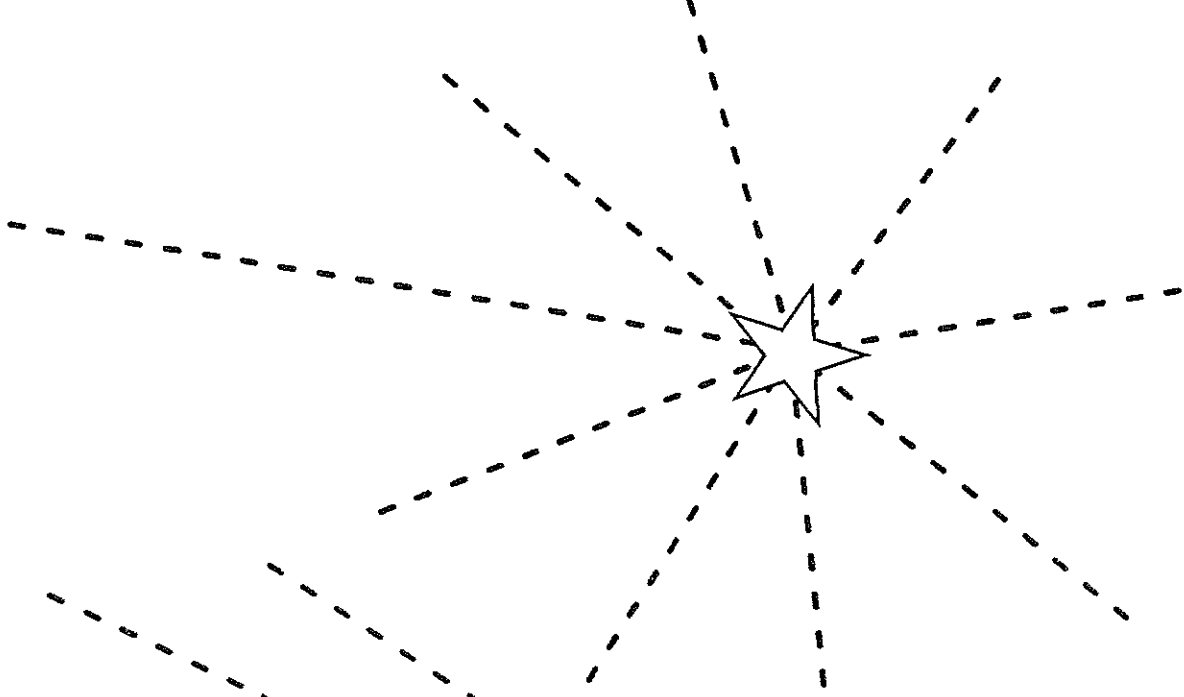
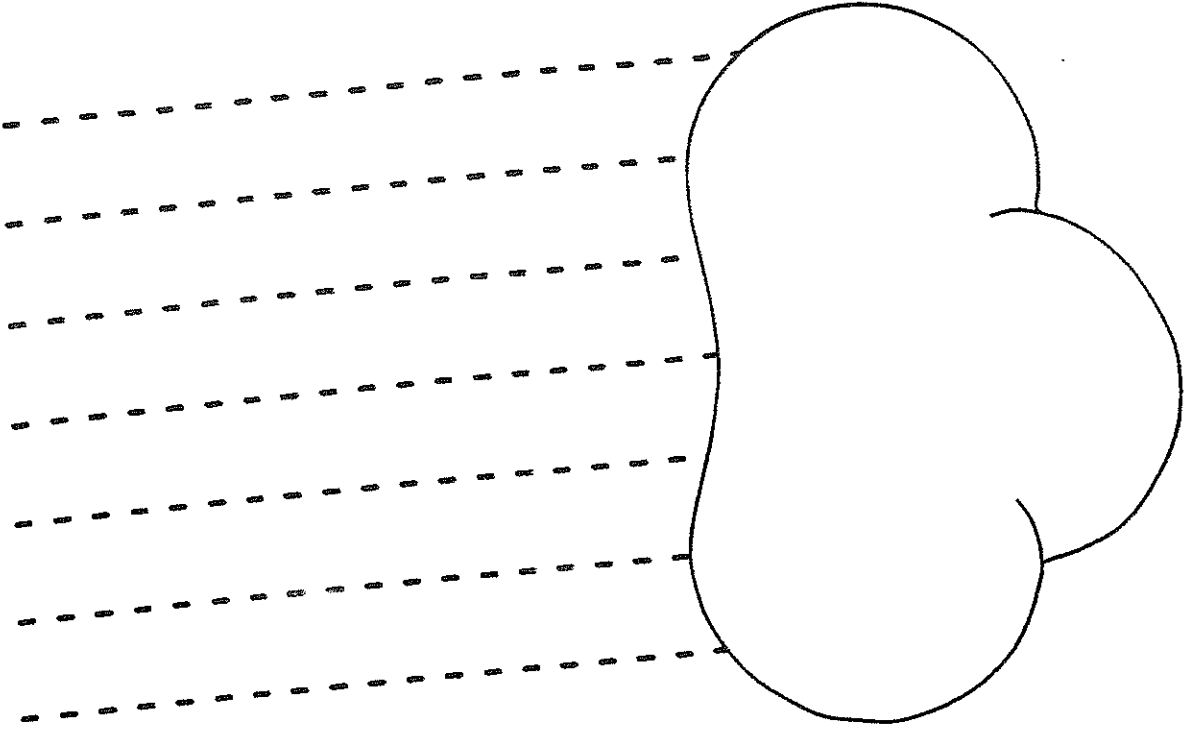
# Pencil control 1 Name: \_\_\_\_\_

Start from the dots and carefully trace over the lines from left to right.



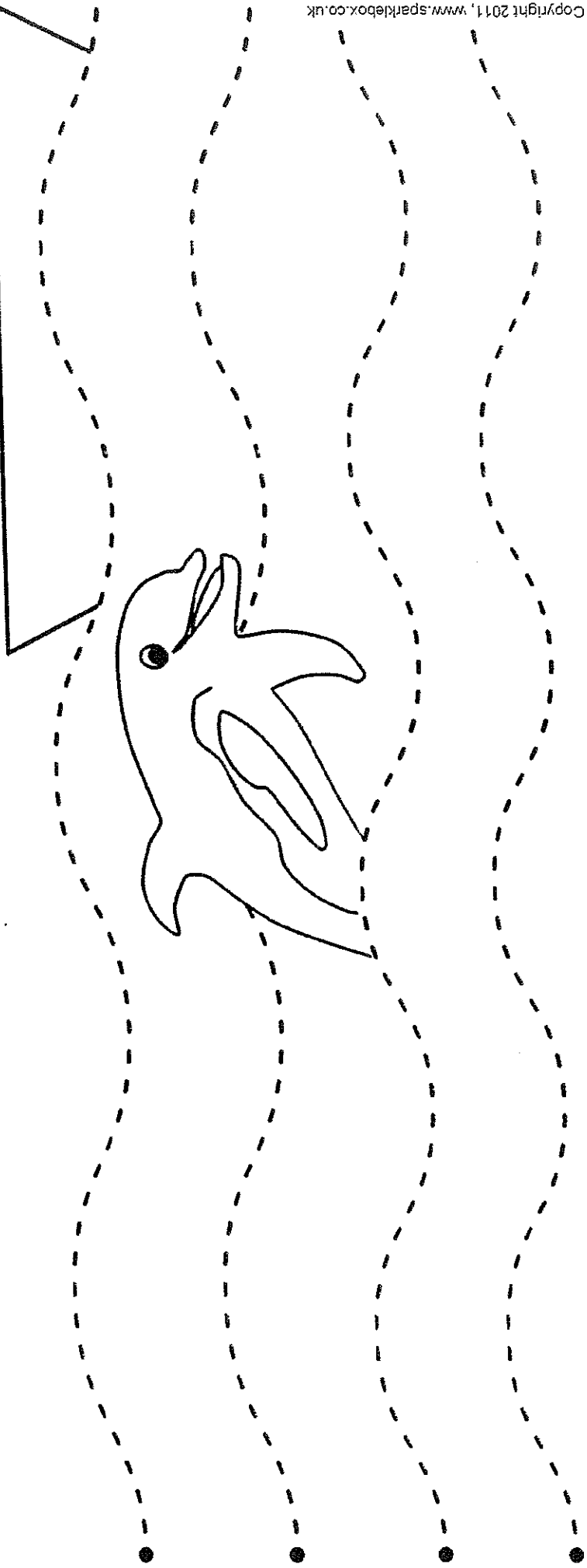
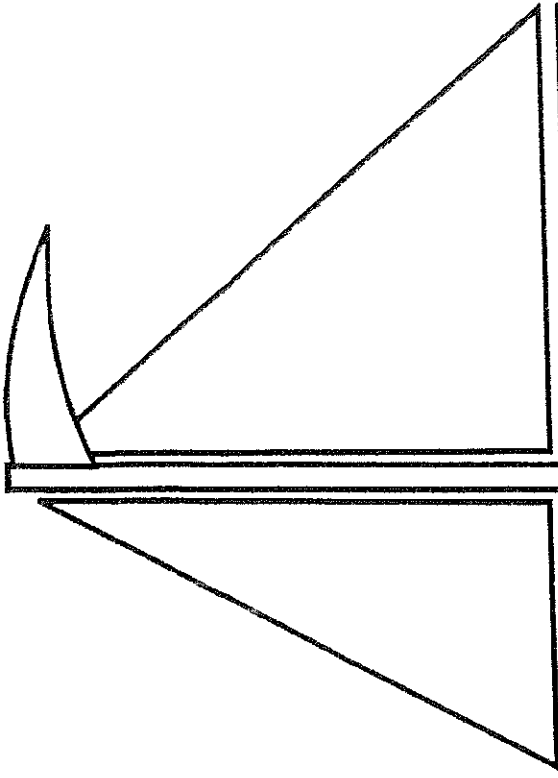
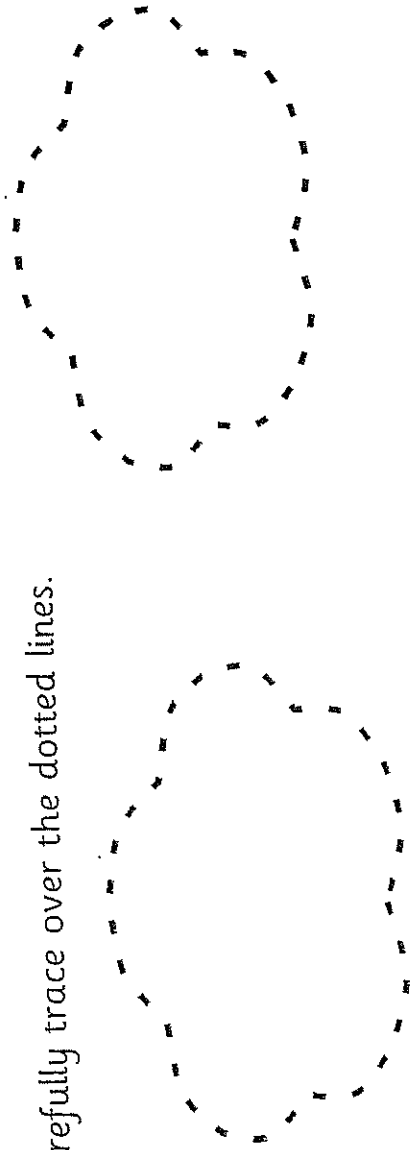
# Pencil control 2 Name: \_\_\_\_\_

Carefully trace over the dotted lines.



**Pencil control 3** Name: \_\_\_\_\_

Carefully trace over the dotted lines.



# Pencil control 4 Name: \_\_\_\_\_

Carefully trace over the dotted lines.

